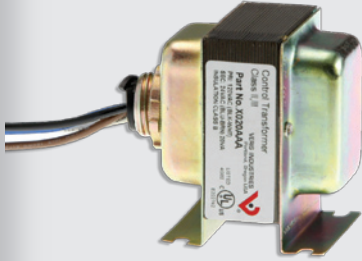


5 Year
Warranty

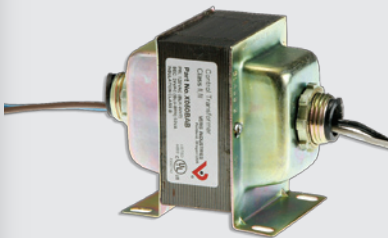
Control Transformers

X020AAA



1 Hub and Foot Mount

X050BAB



2 Hub and Foot Mount

X100CBE



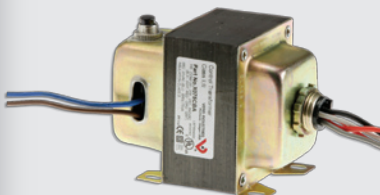
Plate Mount

X375DAC



Foot Mount

X075CBA



1 Hub and Foot Mount with Separated Secondary Wires

Veris X Series Control Transformers are a convenient source of control power for HVAC control and building automation applications. A wide variety of UL-listed transformers are available with single and dual threaded hub mounting options. Multiple current limiting options are available, including a circuit breaker in some models. Save ordering time and purchase order costs when buying other Veris sensors by including transformers in your order.

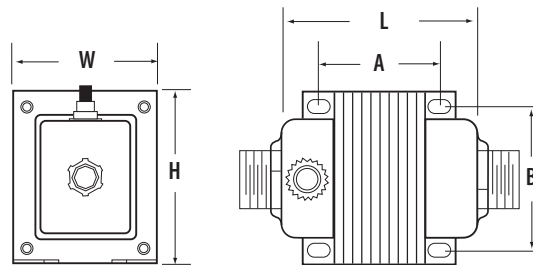
Versatile UL Listed transformers...simplify product selection and installation

- UL Listings for all models simplify panel building requirements
- Threaded hub options maximize installation flexibility
- One stop shopping...save time by ordering along with other Veris products

APPLICATIONS

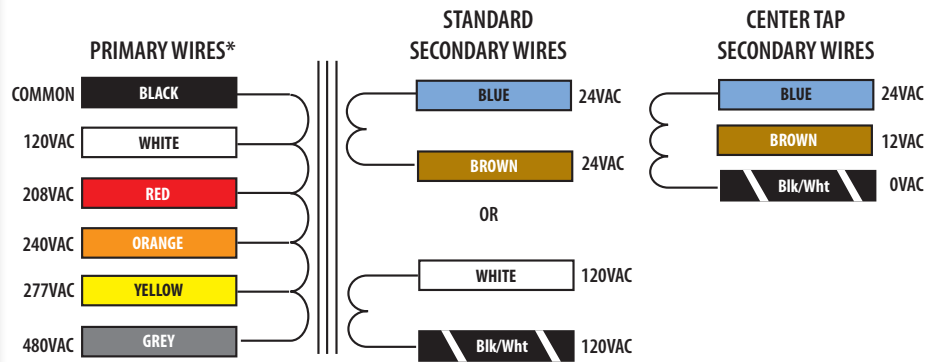
- Controller power
- Switching relays and other digital I/O circuits
- Powering sensors

DIMENSIONAL DRAWINGS



* See ordering table for dimensions.

WIRE COLORS



*Primary of 24V isolation transformers= Red/Red

SPECIFICATIONS

Frequency	50/60 Hz
Operating Temperature	-40° to 65°C (-40° to 149°F)
No Load Voltage	27 to 28VAC
Hub Style	Fits 1/2" electrical k.o.
Wire	UL 1015, 18 AWG*
Wire Length	8 inches

*X085AAA, X375DAC have 14AWG, Secondary wires



ORDERING INFORMATION



DIMENSIONS (inches)

MODEL # TAC	MODEL # VERIS	VA	PRIMARY VOLTAGE (VAC)	SECONDARY VOLTAGE (VAC)	CURRENT LIMITING METHOD	CLASS	MOUNTING	SEPARATED PRIMARY & SECONDARY WIRES	UL	CE	SPECIAL ORDER ONLY *	L	W	H	A	B
STANDARD																
T-255-120			120		Inherent	II, III	1HUB+FT		●	●		2.3	1.9	2.6	1.59	1.69
T-255-277		20	277		Inherent	II, III	1HUB+FT		●	●		2.3	1.9	2.6	1.59	1.69
T-255-24			24		Inherent	General	1HUB+FT		●	●		2.3	1.9	2.6	1.59	1.69
	X020ADB		24		Inherent	General	2HUB+FT	●	●	●		2.3	1.9	2.6	1.59	1.69
	X040AAA		120		Inherent	II, III	1HUB+FT		●	●		2.7	2.2	2.9	1.98	1.81
	X040AAB		120		Inherent	II, III	2HUB+FT	●	●	●		2.7	2.2	2.9	1.98	1.81
	X040ACA		277		Inherent	II, III	1HUB+FT		●	●	●	2.7	2.2	2.9	1.98	1.81
	X040ADA		24		Inherent	II, III	1HUB+FT		●	●		2.7	2.2	2.9	1.98	1.81
	X040AMB		120/208/240/277		Fuse	II, III	2HUB+FT	●	●	●	●	2.7	2.2	2.9	1.98	1.81
	X040BNA		120/208/240	24	Fuse	II, III	1HUB+FT		●	●	●	2.7	2.2	2.9	1.98	1.81
T-201-1			120		Fuse	II, III	1HUB+FT		●	●		2.8	2.2	2.9	2.06	1.81
	X050BAB		120		Fuse	II, III	2HUB+FT	●	●	●		2.8	2.2	2.9	2.06	1.81
T-240			277		Fuse	II, III	1HUB+FT		●	●		2.8	2.2	2.9	2.06	1.81
	X050BCB		277		Fuse	II, III	2HUB+FT	●	●	●		2.8	2.2	2.9	2.06	1.81
T-258			208/240		Fuse	II, III	2HUB+FT	●	●	●	●	2.8	2.2	2.9	2.06	1.81
	X050CAA		120		Circuit Breaker	II, III	1HUB+FT		●	●		3.5	2.5	3.1	1.91	2.03
	X050CBA		120/240/277/480		Circuit Breaker	II, III	1HUB+FT		●	●		3.5	2.5	3.1	1.91	2.03
T-245			120/240/277/480		Circuit Breaker	II, III	2HUB+FT	●	●	●		3.5	2.5	3.1	1.91	2.03
	X050CCA		277		Circuit Breaker	II, III	1HUB+FT		●	●	●	3.5	2.5	3.1	1.91	2.03
	X050CEB		208/240/277/480	120	Circuit Breaker	General	2HUB+FT	●	●	●	●	3.5	2.5	3.1	1.91	2.03
T-249			208/240/277/480		Circuit Breaker	General	Plate, 90° Sec	●	●	●	●	3.5	4.0	4.0	3.38	3.38
	X050CGG		208/240		Circuit Breaker	II, III	Plate, 90° Sec	●	●	●	●	4.0	4.0	4.0	3.38	3.38
	X050CHA		120/208/240/480		Circuit Breaker	II, III	1HUB+FT		●	●	●	3.5	2.5	3.1	1.91	2.03
	X050CHB		120/208/240/480		Circuit Breaker	II, III	2HUB+FT	●	●	●	●	3.5	2.5	3.1	1.91	2.03
	X050CNA		120/208/240		Circuit Breaker	II, III	1HUB+FT		●	●	●	3.5	2.5	3.1	1.91	2.03
	X050CNB		120/208/240		Circuit Breaker	II, III	2HUB+FT	●	●	●	●	3.5	2.5	3.1	1.91	2.03
	X050COA		120/208/240/277/480		Circuit Breaker	II, III	1HUB+FT		●	●	●	3.5	2.5	3.1	1.91	2.03
	X050DLB		220		None	II, III	2HUB+FT	●	●	●	●	2.8	2.2	2.9	2.06	1.81
T-207			120		Circuit Breaker	II, III	1HUB+FT		●	●		3.9	2.5	3.1	2.31	2.03
	X075CAB		120		Circuit Breaker	II, III	2HUB+FT	●	●	●		3.9	2.5	3.1	2.31	2.03
	X075CBA		120/208/240/480	24	Circuit Breaker	II, III	1HUB+FT	●	●	●		3.9	2.5	3.1	2.31	2.03
	X075CCA		277		Circuit Breaker	II, III	1HUB+FT		●	●	●	3.9	2.5	3.1	2.31	2.03
	X075CHA		120/208/240/480		Circuit Breaker	II, III	1HUB+FT		●	●	●	3.9	2.5	3.1	2.31	2.03
T-202		85	120		Inherent	General	1HUB+FT		●	●		3.2	3.8	3.2	2.2	3.14
T-208			120		Circuit Breaker	II, III	1HUB+FT		●	●		4.1	2.5	3.1	2.51	2.03
	X100CAB		120		Circuit Breaker	II, III	2HUB+FT	●	●	●		4.1	2.5	3.1	2.51	2.03
	X100CBA		120/240/277/480		Circuit Breaker	II, III	1HUB+FT		●	●		4.3	2.5	3.1	2.70	2.03
	X100CBB		120/240/277/480		Circuit Breaker	II, III	2HUB+FT	●	●	●		4.3	2.5	3.1	2.70	2.03
	X100CBE		120/208/277/480		Circuit Breaker	II, III	Plate		●	●	●	4.3	4.0	4.0	3.38	3.38
	X100CHB		120/208/240/480		Circuit Breaker	II, III	2HUB+FT	●	●	●	●	4.3	2.5	3.1	2.70	2.03
	X100CKB		480	120	Circuit Breaker	General	2HUB+FT	●	●	●	●	4.1	2.5	3.1	2.51	2.03
	X100CLB		220		Circuit Breaker	II, III	2HUB+FT	●	●	●	●	4.1	2.5	3.1	2.51	2.03
	X150CAA	150	120		Circuit Breaker	General	1HUB+FT		●	●		3.5	3.8	3.2	2.08	3.26
T-203			120		Fuse	General	2HUB+FT	●	●	●		4.1	3.8	3.2	3.19	3.14
	X175CLB	175	220	24	Fuse	General	Foot	●	●	●	●	3.8	3.8	3.2	3.05	3.14
T-223			208/240		None	General	Foot	●	●	●		4.1	3.8	3.2	3.19	3.14
T-204		240	120		None	General	1HUB+FT	●	●	●		3.7	3.8	4.5	3.24	3.18
T-205		375	120		None	General	Foot	●	●	●		4.3	3.8	4.5	3.83	3.18
CENTER TAP																
	X020APC	20	24		Inherent	II, III	Foot	●	●	●	●	2.3	1.9	2.6	1.59	1.69
	X020AQC		120/208/240		Inherent	II, III	Foot	●	●	●	●	2.3	1.9	2.6	1.59	1.69
	X040BPC	40	24	12/24	Fuse	II, III	Foot	●	●	●	●	2.7	2.2	2.9	1.98	1.81
	X040BQC		120/208/240		Fuse	II, III	Foot	●	●	●	●	2.7	2.2	2.9	1.98	1.81
	X050CIA	50	120		Circuit Breaker	II, III	1HUB+FT	●	●	●	●	2.8	2.2	2.9	2.06	1.81
	X100CRC	100	120/240		Circuit Breaker	II, III	1HUB+FT	●	●	●	●	4.3	2.5	3.1	2.70	2.03

* Special orders are not kept in stock, and may require some additional lead time. Call the factory for more details.

