

Electric Surface Mounted/High Temperature Limit Control Thermostats



141-0522 Electric Surface Mounted Thermostat.

141-0530 Electric High Temperature Limit Control Thermostat.

Description

The 141 Electric Surface Mounted / High Temperature Limit Control Thermostats are single setpoint electric thermostats for high or low limit control; surface mounted or duct mounted models available.

Features

Electric Surface Mounted Thermostat

- Can be mounted horizontally, vertically or at an angle.
- Visual setpoint indication through cover

Electric High Temperature Limit Control Thermostat

- Liquid-filled, rigid bulb sensing unit
- Adjustable high temperature limit stop
- Manual reset to close contacts

Applications

Surface Mounted Thermostat

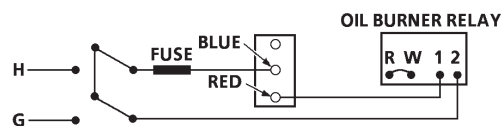
The 141 Surface Mounted Thermostat is ideal as a low or high limit control on unit heaters. Also can be used as a convector or fan coil changeover control for automatically selecting the heating or cooling function based on water temperature.

High Temperature Thermostat

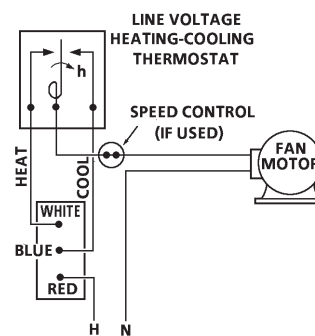
The 141 Electric High Temperature Thermostat is normally located in a duct system and wired to shut down air conditioning or ventilating fans when the air temperature exceeds 125°F (52°C), which would occur during a fire.

This thermostat can also be used as a high limit control for a warm air system when a “lockout” type control is desired or required by code.

Typical Connections



Typical High Limit Wiring.



Typical Changeover Wiring.

D-5

Thermostats

141 Specifications

Surface Mounted Thermostat

Setpoint Range	50 to 150°F (10 to 65°C)
Maximum Bulb Temperature	240°F (116°C)
Switch Action	SPDT
Electrical Ratings	
Motor Rating.....	7.4 FLA @ 120 Vac 3.7 FLA @ 240 Vac
Locked Rotor.....	44.5 A @ 120 Vac 22.2 A @ 240 Vac
Cover Finish	Gray Baked Enamel
Dimensions	2.30" W x 5.38" H x 1.84" D (58 mm W x 173 mm H x 47 mm D)
Shipping Weight	2.0 lb. (0.9 kg)

High Temperature Thermostat

Setpoint Range	25 to 215°F (-4 to +102°C)
Switch Action	SPST, open-on-rise
Factory Temperature Setting	125°F (52°C)
Electrical Ratings	
Motor Rating.....	10 FLA @ 120 Vac 6 FLA @ 240 Vac
Noninductive Rating	1 A @ 0.3 to 12 Vac 6 A @ 12-50 Vac
Agency Approvals	UL MP3487 CSA LR6246
Cover Finish	Gray Baked Enamel
Dimensions	2.94" W x 5.38 H x 2.5" D (59 mm W x 136 mm H x 64 mm D)
Shipping Weight	1.8 lb. (0.82 kg)

141 Product Ordering

Description	Part No.
Surface Mounted	141-0522
High Temperature Limit Duct Mount	141-0530

D-6

Thermostats

Accessories & Service Kits

D-13