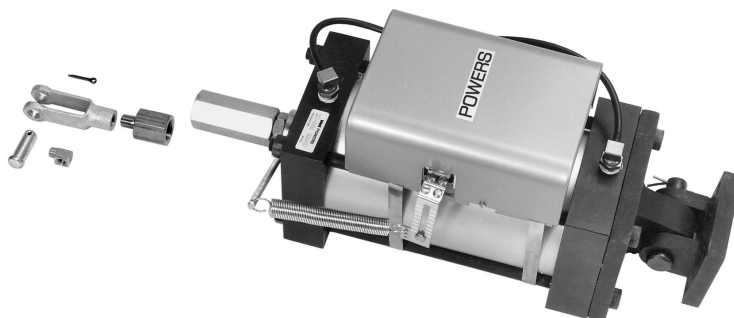


Large Capacity Pneumatic Actuator



331 Large Capacity Pneumatic Actuator.

Description

Designed to develop very high thrust, the 331 Large Capacity Pneumatic Actuator has the capacity to handle heavy loads.

Features

- Maximum 30 psi (207 kPa) inlet pressure
- All mounting hardware included
- Adjustable start point
- Adjustable span

Applications

The 331 Large Capacity Pneumatic Actuator controls large dampers and equipment that requires high operating thrust.

Caution

Actuator cannot be used when spring return to fail safe position is required.

B-47

Damper Actuators

Large Capacity Pneumatic Actuator Specifications

Air Supply Pressure 25 psi (172 kPa)
Max. Pressure 30 psi (207 kPa)
Temperature Range
 Operating..... 50 to 140°F (10 to 60°C)
 Storage.....-20 to +160°F (-29 to +71°C)
Effective Piston Area 19.6 in.² (126 cm²)
Stroke 7-in. (18 cm)
Span (adjustable) 3 to 12 psi (21 to 83 kPa)

Response 0.5 psi (3.4 kPa)
Torque Rating (90° rotation)
with 25 psi (172 kPa) air supply 130 lb.-ft. (176 Nm)
Spring Start Point (adjustable) 3 to 10 psi (21 to 69 kPa)
MountingPivot
Air Connection 1/8" NPT
Shipping Weight35.0 lb. (16.0 kg)

Large Capacity Pneumatic Actuator Product Ordering

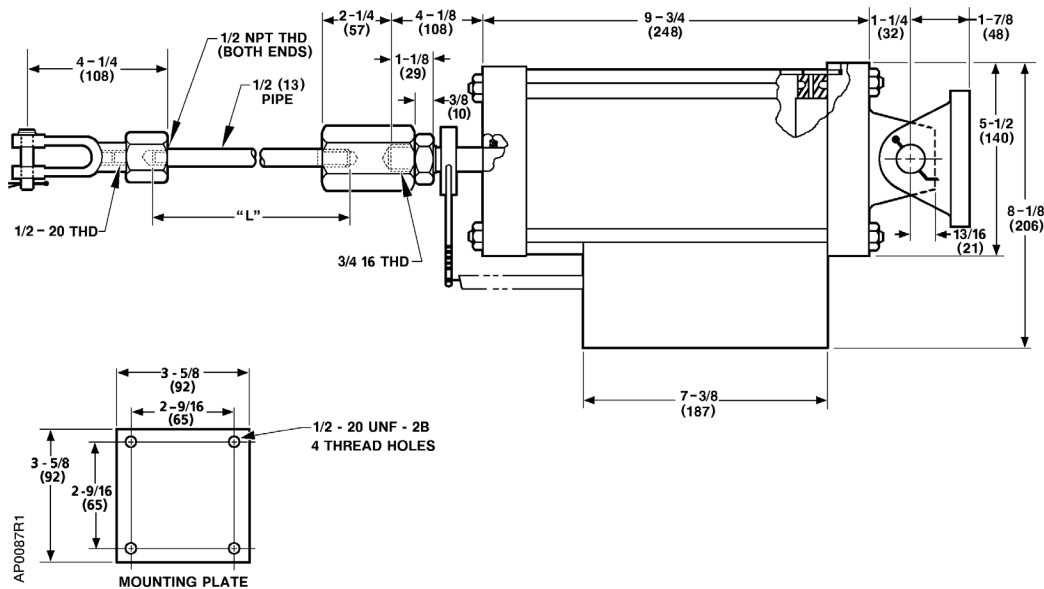
Description	Part No.
Large Capacity Pneumatic Actuator	331-2882

Accessories & Service Kits B-49

Dimensions

B-48

Damper Actuators



Dimensions shown in inches (mm).