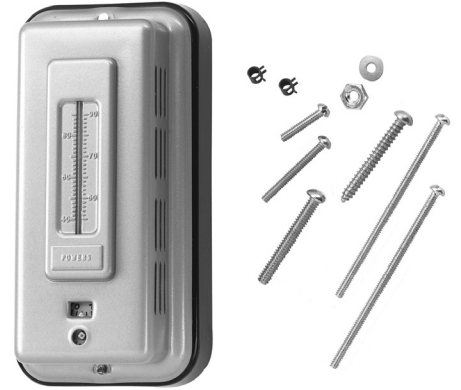


Pneumatic Room Thermostats



832 D Pneumatic Room Thermostat and screws.

Description

The single setpoint, direct acting thermostat provides gradual acting pneumatic room temperature control for heating and cooling applications. The 832 D Thermostat is ruggedly constructed for dependable, long-term service.

Features

- All metal construction
- Rapid response to temperature change
- Unique design of supply and exhaust air valves prevents waste
- Quiet operation
- Easy-to-calibrate and service
- Tamper-proof cover screws
- Exposed remote changeover control
- Calibrated thermometer

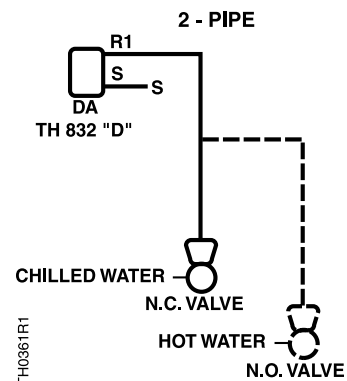
Applications

Designed for controlling rooms heated or cooled by radiation, ventilation, or an air conditioning system, the 832 D Pneumatic Room Thermostat is versatile and responsive for individual room control.

Other applications include room control of radiant panels, finned radiation, and unit ventilators.

Application Drawing

Dotted lines are alternative control schemes.



832 D Pneumatic Room Thermostat Specifications

Control Action	Direct	Maximum Operating Pressure	30 psi (207 kPa)
Operating Range	60 to 85°F (15 to 30°C)	Dimensions	2.88" W x 5.63" H x 2.19" D (73 mm W x 143 mm H x 56 mm D)
Sensitivity Fixed	2.5 psi/°F (31 kPa/°C)	Air Consumption for Compressor Sizing	10 scim (2.7 ml/s)
Temperature Response	0.5°F (0.3°C)	Cover Style	Key or concealed setpoint adjustment
Maximum Ambient Temperature	110°F (43°C)	Cover Finish	Silver; Special order other finishes.
Dial Graduations	2°F (1.1°C)	Shipping Weight	3.0 lb. (1.36 kg)
Normal Air Supply Pressure	18 psi (124 kPa)		

832 D Pneumatic Room Thermostat Product Ordering

Description	Thermostat Part No. ²	Cover Assembly
Concealed Adjustment with Thermometer	832-0120	856-036
Concealed Adjustment without Thermometer	832-0490	856-046 ¹
Exposed Key Adjustment with Thermometer	832-0500	856-044
Exposed Knob Adjustment with Thermometer	832-1260	856-044

Ordering Notes

1. Blind cover, **856-046**, does not include mounting screws, **856-014**, that are required for installation.
2. Does not include adjustment key, **856-055**, that is required for installation.

Thermostat comes complete with cover.

 Order the Calibration Kit in the Accessories and Service Kits section.

Accessories & Service Kits

F-87

TECH TIP

To calibrate any pneumatic thermostat, perform the following:

1. Remove the cover.
2. Measure the ambient temperature.
3. Set the setpoint dial to the ambient temperature.
4. Measure the controller output pressure (branch pressure).
5. Turn the calibration screw(s) until the branch pressure equals the midpoint of the control span [usually 8 psi (55 kPa)].
6. Replace the cover.