

TEC Digital Flush Mount Sensor Wall Mounting Kit

Product Description

This kit allows users to mount the TEC Semi-Flush Mount Room Temperature Sensor on standard drywall or to a 2" x 4" electrical box. It can also be used on plywood, paneling, or other types of wall sheathing material.

Contents

- Backplate (1)
- 6-32 x 1-7/8" Screw (2)
- #6-8 x 3/4" Plastic wall anchor (2)

Product Number

AQA1200

Required Tools

- Pencil or marker
- Small level
- 3/16" drill bit
- Med. duty electric or battery operated hand drill
- Phillips head screw driver
- Drywall saw
- Linesman pliers

Expected Installation Time

15 minutes

Prerequisites

- Review these instructions before beginning.
- Installed: Appropriate field wiring (standard six-conductor room sensor cables, plenum or non-plenum as required), within the maximum wiring run length for the individual equipment controller. The maximum recommended length is 100 feet (30 m).
- All wiring must comply with the National Electric Code (NEC) and local regulations.

Locate the sensor:

- According to design specifications and local regulations.
- Where the air circulates around it freely (not in recessed areas or behind doors).
- Away from drafts caused by doors, windows, outside walls, air registers, pipes, and return air plenums, and so on.
- On an inside wall (preferably), about 5 feet (1.5 m) above the finished floor.

Installation

A typical installation procedure consists of the following steps:

Drywall Mounting

1. Place the backplate in the up position "↑" level on the wall and trace inside to make roughly a 2-1/16" x 3-1/2" rectangle. See Figure 1.

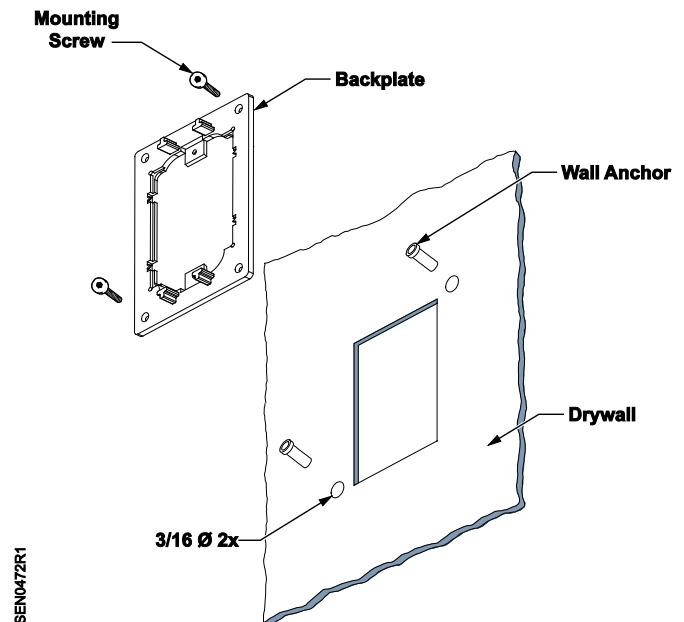


Figure 1. Drywall Mounting.

2. Choose two holes and mark their centers.
3. Drill two 3/16" holes where the hole centers are marked.

Drywall Mounting, Continued

4. Insert the two wall anchors in the holes.
5. Using the drywall saw, cut out the rectangle.
6. Mount the backplate on the wall making note the up arrow "↑" on the plate with the mounting screws. See Figure 1.

The installation is now complete and ready to accept the TEC Semi-Flush Mount Room Temperature Sensor.

2" x 4" Electrical Box Mounting

1. Pull the cable through the backplate and plug the terminated cable into the RJ-11 connector in the back of the PCA.
2. Mount the PCA into the pocket of the backplate.
3. Assemble the housing to the backplate.
4. Assemble the mounting screws through the housing and align with the threaded tab of the 2" x 4" box and tighten in place. See Figure 2.

The installation is now complete.

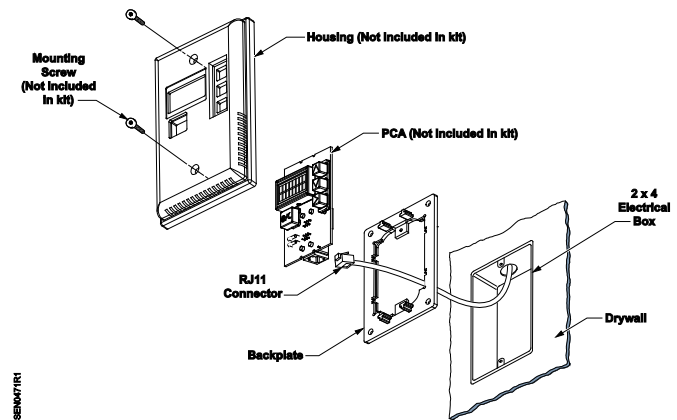


Figure 2. 2" x 4" Electrical Box Mounting.

Information in this publication is based on current specifications. The company reserves the right to make changes in specifications and models as design improvements are introduced. Other product or company names mentioned herein may be the trademarks of their respective owners. © 2008 Siemens Industry, Inc.