

OpenAir™ GQD Series, Spring Return, 20 lb-in (2 Nm), Rotary Electronic Damper Actuators

Product Number*	Torque	Voltage		Control Signals			Plenum Cabling	Appliance Cable	Auxiliary Switch
	20 lb-in	24 Vac/dc	120 Vac	2-Position	Floating	Modulating 2 to 10 Vdc/ 10 to 2 Vdc			
GQD121.1P	●	●	—	●	—	—	●	—	—
GQD126.1P	●	●	—	●	—	—	●	—	●
GQD131.1P	●	●	—	—	●	—	●	—	—
GQD136.1P	●	●	—	—	●	—	●	—	●
GQD151.1P	●	●	—	—	—	●	●	—	—
GQD156.1P	●	●	—	—	—	●	●	—	●
GQD221.1U	●	—	●	●	—	—	—	●	—
GQD226.1U	●	—	●	●	—	—	—	●	●

* Add /B to part number to order a bulk pack of 10.

Technical Data

Torque	20 lb-in (2 Nm)	
Runtime for 90°	30 seconds	
Spring Return	15 seconds typical	
Nominal angle of rotation	90° typical	
Power consumption:	Running	Holding
24 Vac ±20%/ 24 Vdc ±15%		
GQD12x	6.5 VA (4.5W)	4 VA (2.5W)
GQD13x	4 VA (2.5W)	3 VA (1.5W)
GQD15x	4.5 VA (3W)	3.5 VA (2W)
120 Vac ±15%		
GQD22x	10 VA	7 VA
Damper shaft size	3/8-inch to 1/2-inch diameter (8 mm to 13 mm) 1/4-inch to 7/16-inch square (6 mm to 11 mm)	
Damper shaft size, minimum Agency listings	3/4-inch (20 mm) minimum length UL listed to UL873 cUL listed; CE certified EMC and Low Voltage Directives	
120 Vac Ambient temperature		
Operating	-25°F to 130°F (-32°C to 55°C)	
Storage/transport	-40°F to 158°F (-40°C to 70°C)	
Ambient humidity (non-condensing)	95% rh (non-condensing)	
Pre-cabled connection	18 AWG (0.75mm ²), 3 ft (0.9m) long	
Enclosure	NEMA 1	
Housing material	Plenum rated rugged plastic	
Dimensions:	4-23/32" × 2-22/32" × 2-15/32" (120 mm × 69 mm × 63 mm)	
GQD221.1U (only)	5-1/2" × 2-22/32" × 2-15/32" (138.5 mm × 69 mm × 63 mm)	
GQDxx6 w/conduit adapter	6-3/16" × 2-22/32" × 2-15/32" (156.7 mm × 69 mm × 63 mm)	
Weight	1.06 lbs (0.48 kg)	

Description

The OpenAir GQD Series direct-coupled, spring return rotary electronic damper actuators are 24 Vac/dc rated and available in 2-position, floating, and modulating (2 to 10 Vdc) control. The small footprint and torque make this actuator ideal for small HVAC dampers, economizers, or residential zone dampers requiring fail-safe operation.



Features

- Bi-directional, fail-safe spring return
- Pre-cabled
- Plenum rated models available
- Optional built-in auxiliary switches with fixed switch points at 5° and 85° rotation
- Fast run time
- Signal inversion capability on modulating type (2 to 10 Vdc or 10 to 2 Vdc)
- Small footprint for installation flexibility
- UL and cUL listed; CE certified
- These devices were approved for installation in plenum areas by Underwriters Laboratories, Inc. per UL 1995.
- Low voltage models are 24 Vac/dc compatible
- 120 Vac, 1/2" NPT conduit, model available
- Fixed Dual End Switches
24 Vdc, 24 Vac to 250 Vac
6A resistive
2FLA/12 LRA
SPST
Fixed 5° and 85°

Wiring Diagrams

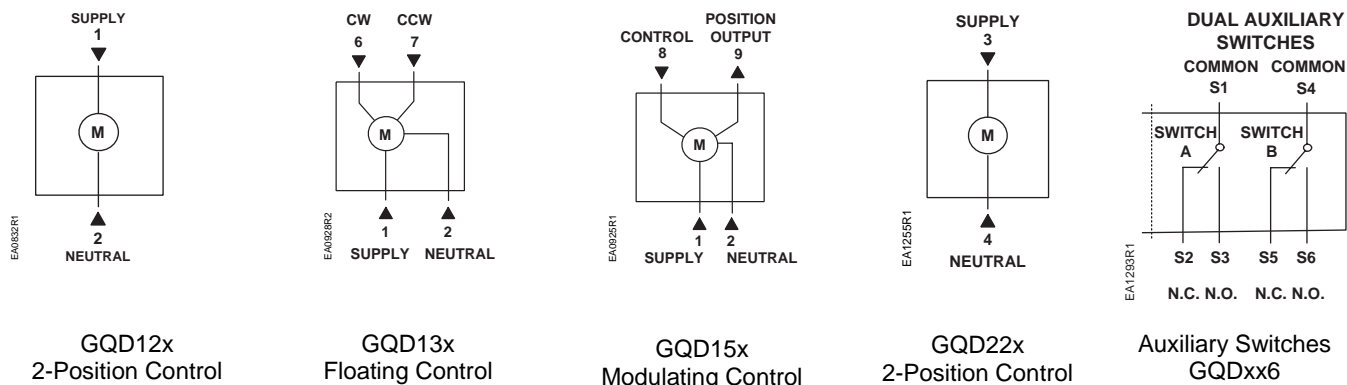


Figure 1. Wiring Diagrams.

Dimensions in Inches (Millimeters)

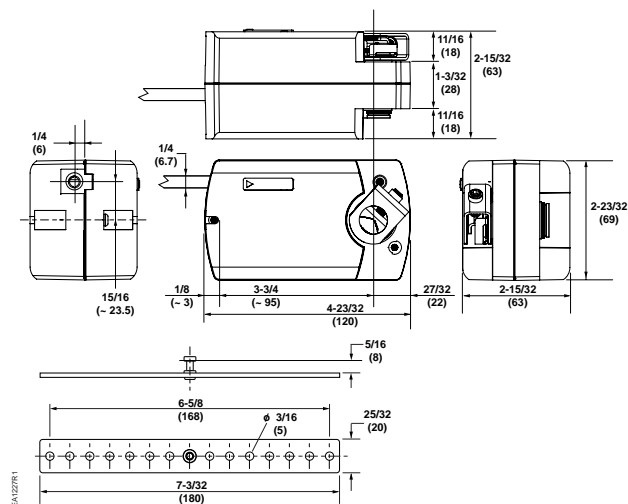


Figure 2. GQD1x1 Actuator and Mounting Bracket.

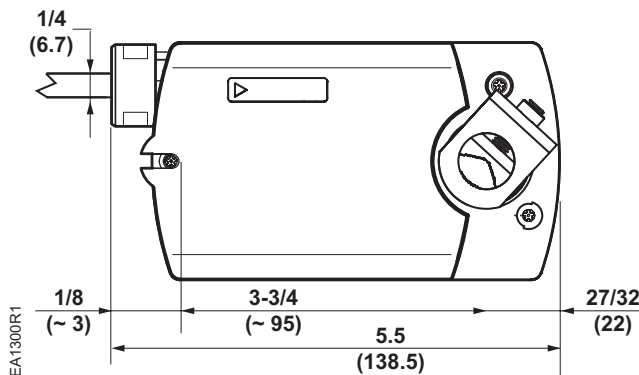


Figure 3. GQD221.1U Actuator Only.

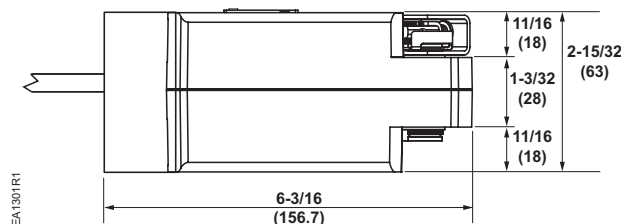


Figure 4. GQDxx6 with Conduit Adapter.

Information in this publication is based on current specifications. The company reserves the right to make changes in specifications and models as design improvements are introduced. OpenAir is a registered trademark of SIEMENS SCHWEIZ AG. Other product or company names mentioned herein may be the trademarks of their respective owners. © 2011 Siemens Industry, Inc.