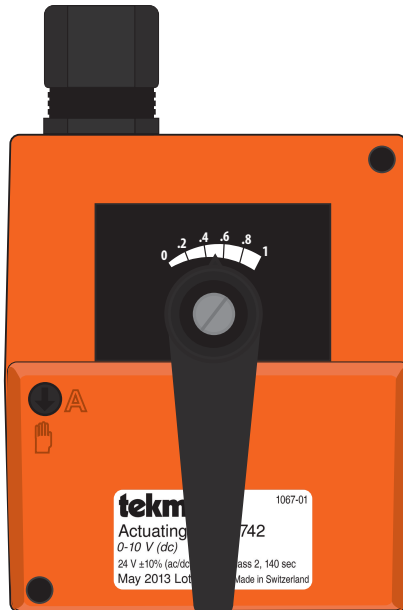




Installation & Operation Manual

Introduction

The Actuating Motor 742 uses a 0-10 or 2-10 V (dc) signal to adjust the position of a mixing valve. It is compatible with tekmar brass mixing valves 710 to 724. It provides 88 in•lbs (10 N•m) of torque over a 90° rotation. The rotation direction is selected by a toggle switch.



WARNING

It is the installer's responsibility to ensure that this control is safely installed according to all applicable codes and standards. This electronic device is not intended for use as a primary limit control. Other controls that are intended and certified as safety limits must be placed into the control circuit. tekmar Control Systems is not responsible for damages resulting from improper installation and/or maintenance.



Read this Manual BEFORE using this equipment.

Failure to read and follow all safety and use information can result in personal injury, property damage, or damage to the equipment.

Keep this Manual for future reference.

Installation

Check the Contents

Check the contents of this package. If any of the contents listed are missing or damaged, please refer to the Limited Warranty and Product Return Procedure on the back of this brochure and contact your wholesaler or tekmar sales representative for assistance. Type 742 includes:

- One Actuator Motor 742
- One black coupler
- One white coupler
- One screw
- One handle
- One reversible scale plate
- One anti-rotation bolt
- One Installation and Operation Manual 742_D

Preparation

Tools Required

- tekmar or jeweller screwdriver
- Phillips No.1 head screwdriver
- Wire Stripper

Materials Required

- 2 conductor, 18 AWG LVT solid wire

Installation Location

Choose the placement of the actuator motor early in the construction process to enable proper wiring during rough-in.

Consider the following:

- Keep dry. Avoid potential leakage onto the control.
- Relative Humidity less than 95%. Non-condensing environment.
- No exposure to extreme temperatures beyond 32-122°F (0-50°C).
- Away from equipment, appliances, or other sources of electrical interference.
- Easy access for wiring and viewing.

Step 1 - Rough In Wiring

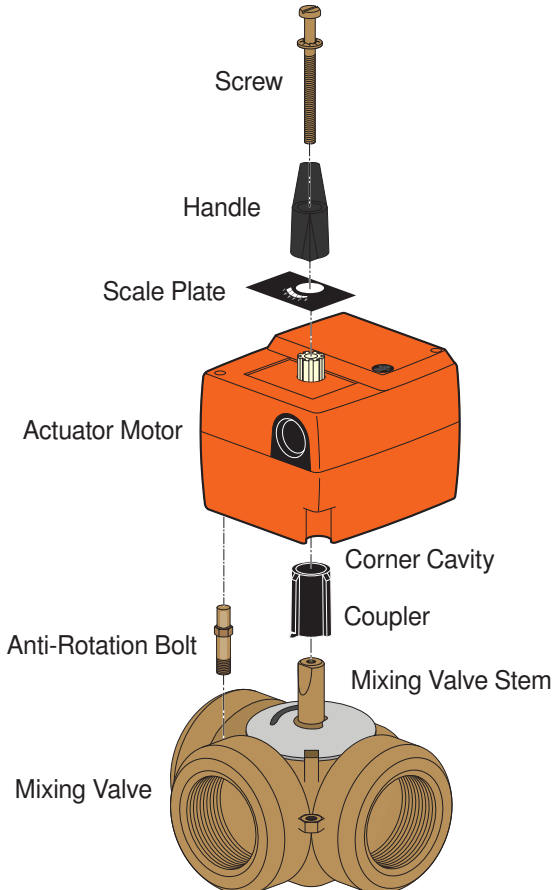
Pull two conductor 18 AWG LVT cable, up to 500 feet (150 m) for the following:

- 24 V (ac/dc) power supply
- 0-10 or 2-10 V (dc) control signal from control

Strip wire to 3/8" (10 mm) for all terminal connections.

Step 2 - Mounting

- Using a Phillips screwdriver, remove the two screws in the corners of the actuator cover. Remove the cover.
- Thread the anti-rotation bolt into one of the threaded holes on the mixing valve. Do not align the anti-rotation bolt with the actuator motor corner cavity.
- Install coupler onto mixing valve stem, ensuring that it is pushed all the way on.
- **Black coupler: for 3-way valves 710, 711, 712, 713, 714**
- **White coupler: for 4-way valves 720, 721, 722, 723, 724**
- Install actuator body onto the coupler.



Step 3 - Wiring

Conduit Connector

Pull wires through conduit connector and provide enough wire length to connect to wiring terminals. Tighten the conduit connector nut.

Power Supply

If using a 24 V (ac) power supply:

- Connect C to terminal 1.
- Connect R to terminal 2.

If using a 24 V (dc) power supply:

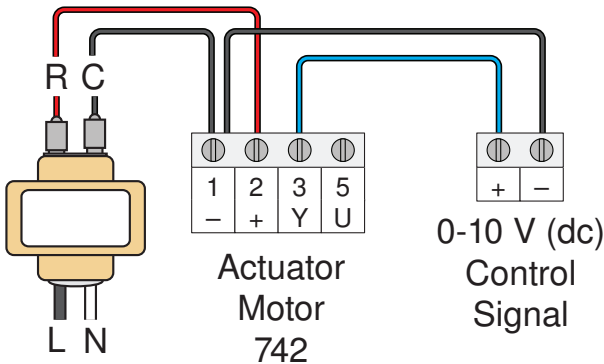
- Connect the power supply negative (–) to terminal 1.
- Connect the power supply positive (+) to terminal 2.

Control Signal Input

- Connect the analog 0-10 or 2-10 V (dc) control signal negative (–) to terminal 1.
- Connect the analog 0-10 or 2-10 V (dc) control signal positive (+) to terminal 3.

Position Signal Output (may not be required)

- Connect the position signal negative (–) to terminal 1.
- Connect the position signal positive (+) to terminal 5.



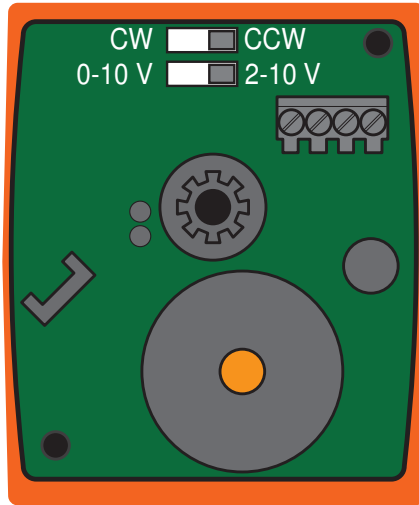
Step 4 - Switch Settings

Switch 1

Function	Switch 1 Position
Counterclockwise to open valve	Right (factory default)
Clockwise to open valve	Left

Switch 2

Function	Switch 2 Position
2-10 V (dc) signal	Right (factory default)
0-10 V (dc) signal	Left



Step 5 - Final Assembly

- Install actuator cover onto the actuator. Using a Phillips screwdriver, tighten the two screws.
- Install the scale plate.
- For clockwise to open installations, face scale plate with 0 on the left and 1 on the right.
- For counterclockwise to open installations, face scale plate with 1 on the left and 0 on the right.
- Install actuator handle onto the actuator spline.
- Install actuator screw through hole in the handle. Using a flat head screwdriver, tighten until snug. Do not overtighten.

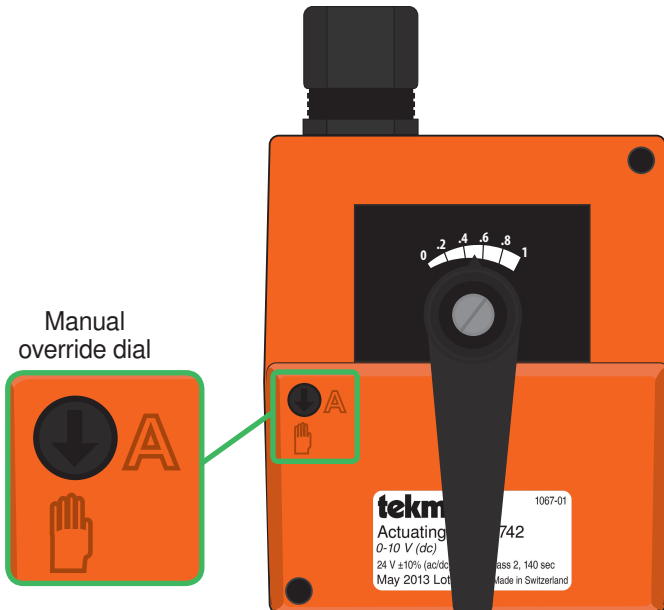
Testing and Troubleshooting

The actuator motor includes a manual override.

To engage manual operation, use a flat blade screwdriver and set the manual override dial to the “hand” position.

Use the handle to manually adjust the valve position. When the handle is set to 0, the valve should be closed and there should be no heat transfer. When the handle is set to 1, the valve should be fully open and there should be heat transfer.

To return to automatic operation, use a flat blade screwdriver and set the manual override dial to the “A” position.



Technical Data

Actuating Motor 742 0-10 V (dc)

Literature	742_C, 742_D
Packaged weight	1.1 lbs (500 g)
Dimensions	3-5/8" H x 3-1/8" W x 3-9/16" D (93 x 80 x 90 mm)
Enclosure	Polycarbonate plastic, NEMA type 1
Ambient conditions	Indoor use only, 32 to 122°F (0 to 50°C), 95% RH non-condensing
Power supply	24 V \pm 10% (ac/dc), 2.5 VA, Class 2
Control signal input	0-10 V (dc) or 2-10 V (dc), selected by switch setting, 100 k Ω maximum input impedance
Position signal output	0-10 V (dc) or 2-10 V (dc), follows switch setting, 3 k Ω maximum load impedance
Angle of rotation	Electrically limited to 90° shaft rotation, clockwise or counterclockwise direction selected by switch setting
Motor speed	140 seconds
Rated torque	88 in•lbs (10 N•m)

Limited Warranty and Product Return Procedure

Limited Warranty *The liability of tekmar under this warranty is limited. The Purchaser, by taking receipt of any tekmar product ("Product"), acknowledges the terms of the Limited Warranty in effect at the time of such Product sale and acknowledges that it has read and understands same.*

The tekmar Limited Warranty to the Purchaser on the Products sold hereunder is a manufacturer's pass-through warranty which the Purchaser is authorized to pass through to its customers. Under the Limited Warranty, each tekmar Product is warranted against defects in workmanship and materials if the Product is installed and used in compliance with tekmar's instructions, ordinary wear and tear excepted. The pass-through warranty period is for a period of twenty-four (24) months from the production date if the Product is not installed during that period, or twelve (12) months from the documented date of installation if installed within twenty-four (24) months from the production date.

The liability of tekmar under the Limited Warranty shall be limited to, at tekmar's sole discretion: the cost of parts and labor provided by tekmar to repair defects in materials and / or workmanship of the defective product; or to the exchange of the defective product for a warranty replacement product; or to the granting of credit limited to the original cost of the defective product, and such repair, exchange or credit shall be the sole remedy available from tekmar, and, without limiting the foregoing in any way, tekmar is not responsible, in contract, tort or strict product liability, for any other losses, costs, expenses, inconveniences, or damages, whether direct, indirect, special, secondary, incidental or consequential, arising from ownership or use of the product, or from defects in workmanship or materials, including any liability for fundamental breach of contract.

The pass-through Limited Warranty applies only to those defective Products returned to tekmar during the warranty period. This Limited Warranty does not cover the cost of the parts or labor to remove or transport the defective Product, or to reinstall the repaired or replacement Product, all such costs and expenses being subject to Purchaser's agreement and warranty with its customers.

Any representations or warranties about the Products made by Purchaser to its customers which are different from or in excess of the tekmar Limited Warranty are the Purchaser's sole responsibility and obligation. Purchaser shall indemnify and hold tekmar harmless from and against any and all claims, liabilities and damages of any kind or nature which arise out of or are related to any such representations or warranties by Purchaser to its customers.

The pass-through Limited Warranty does not apply if the returned Product has been damaged by negligence by persons other than tekmar, accident, fire, Act of God, abuse or misuse; or has been damaged by modifications, alterations or attachments made subsequent to purchase which have not been authorized by tekmar; or if the Product was not installed in compliance with tekmar's instructions and / or the local codes and ordinances; or if due to defective installation of the Product; or if the Product was not used in compliance with tekmar's instructions.

THIS WARRANTY IS IN LIEU OF ALL OTHER WARRANTIES, EXPRESS OR IMPLIED, WHICH THE GOVERNING LAW ALLOWS PARTIES TO CONTRACTUALLY EXCLUDE, INCLUDING, WITHOUT LIMITATION, IMPLIED WARRANTIES OF MERCHANTABILITY AND FITNESS FOR A PARTICULAR PURPOSE, DURABILITY OR DESCRIPTION OF THE PRODUCT, ITS NON-INFRINGEMENT OF ANY RELEVANT PATENTS OR TRADEMARKS, AND ITS COMPLIANCE WITH OR NON-VIOLATION OF ANY APPLICABLE ENVIRONMENTAL, HEALTH OR SAFETY LEGISLATION; THE TERM OF ANY OTHER WARRANTY NOT HEREBY CONTRACTUALLY EXCLUDED IS LIMITED SUCH THAT IT SHALL NOT EXTEND BEYOND TWENTY-FOUR (24) MONTHS FROM THE PRODUCTION DATE, TO THE EXTENT THAT SUCH LIMITATION IS ALLOWED BY THE GOVERNING LAW.

Product Warranty Return Procedure All Products that are believed to have defects in workmanship or materials must be returned, together with a written description of the defect, to the tekmar Representative assigned to the territory in which such Product is located. If tekmar receives an inquiry from someone other than a tekmar Representative, including an inquiry from Purchaser (if not a tekmar Representative) or Purchaser's customers, regarding a potential warranty claim, tekmar's sole obligation shall be to provide the address and other contact information regarding the appropriate Representative.

WARNING: This product contains chemicals known to the State of California to cause cancer and birth defects or other reproductive harm. For more information: www.watts.com/prop65



Product design, software and literature are Copyright ©2013 by tekmar Control Systems Ltd., A Watts Water Technologies Company. Head Office: 5100 Silver Star Road, Vernon, B.C. Canada V1B 3K4, 250-545-7749, Fax. 250-545-0650 Web Site: www.tekmarControls.com