



H723xC Series & H923



H923



H723



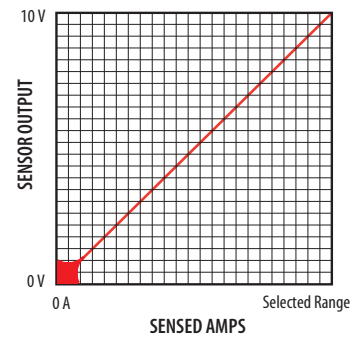
SPECIFICATIONS

Sensor Power	Induced from monitored current
Insulation Class	300 Vac RMS
Frequency Range	50/60 Hz
Temperature Range	-15 to 60 °C (5 to 140 °F)
Humidity Range	10 to 90% RH, non-condensing
Accuracy	±2% F.S. from 10% to 100% (selected range)
Response Time	2 sec.
Terminal Block Wire Size	24 to 14 AWG (0.2 to 2.1 mm ²)
Terminal Block Torque	3.5 to 4.4 in-lbs (0.4 to 0.5 N-m)
Agency Approvals	CE1: EN61010-1, CAT III, pollution degree 2, basic insulation
Limited Warranty	5 years

1. The CE mark indicates RoHS2 compliance. Please refer to the CE Declaration of Conformity for additional details.

EXAMPLE LINEAR OUTPUT

Scale software as shown



LOAD TRENDING WITH 0 TO 10 VDC OUTPUT

DESCRIPTION

The **Hawkeye 723LC, 723HC, and H923 Series** provide accurate load trending information with a proportional 0 to 10 Vdc output signal. Devices offer three amperage range options, with slide-switch selection for easy field adjustment – no need for jumpers.

APPLICATIONS

- Load trending
- Motor control
- Fan/pump status

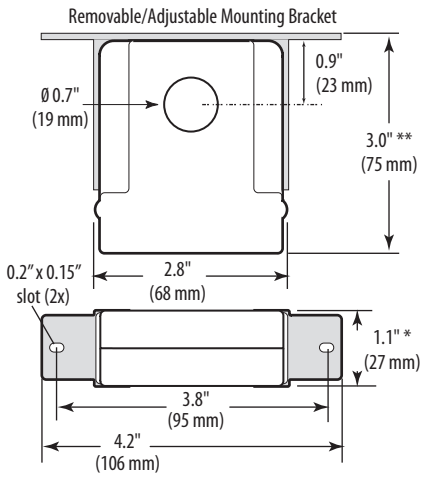
FEATURES

- Self-powered analog current transducer 0 to 10 Vdc output
- Self-gripping, split-core design for fast retrofit installation...no need to remove conductor (H923)
- No jumpers on unit...reduces installation error
- No external power required for sensor
- Factory calibrated field-selectable ranges for high resolution and installation ease
- One device does the work of three...less to stock
- Removable mounting bracket for installation flexibility
- Bracket on H923 can be installed in three different configurations...added flexibility
- 100% solid state...no moving parts to fail
- 5-year warranty

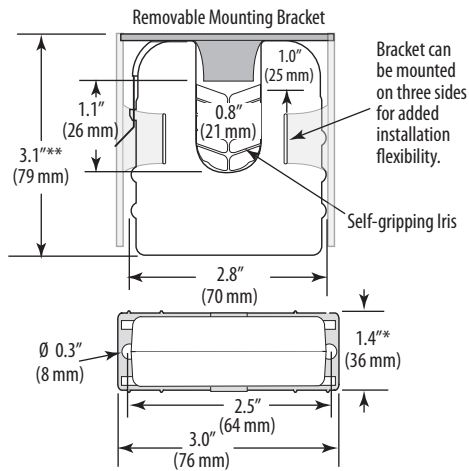


DIMENSIONAL DRAWINGS

H723LC/H723HC



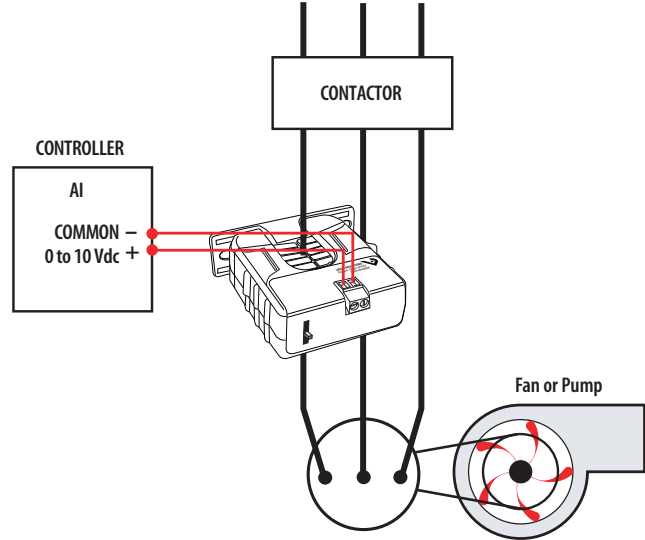
H923



* Terminal block may extend up to 1/8" over the height dimensions shown.
 ** Slide switch may extend up to 1/4" over the height dimensions shown.

WIRING DIAGRAMS

Monitoring Fan / Pump Motors for Positive Proof of Flow



ORDERING INFORMATION

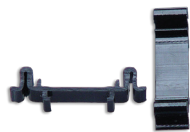


MODEL	AMPERAGE RANGE	SENSOR OUTPUT	HOUSING	CE
H723LC	0 to 10/20/40 A	0 to 10 Vdc	Solid-core	●
H723HC	0 to 50/100/200 A		Solid-core	●
H923	0 to 20/100/150 A		Split-core	●

ACCESSORIES

DIN Rail Clip Set (AH01)

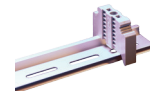
DIN Rail (AV01) and DIN Stop Clip (AV02)



AH01



AV01



AV02